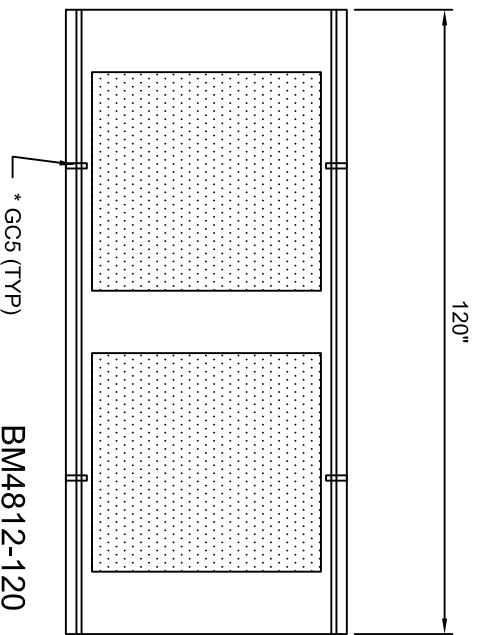
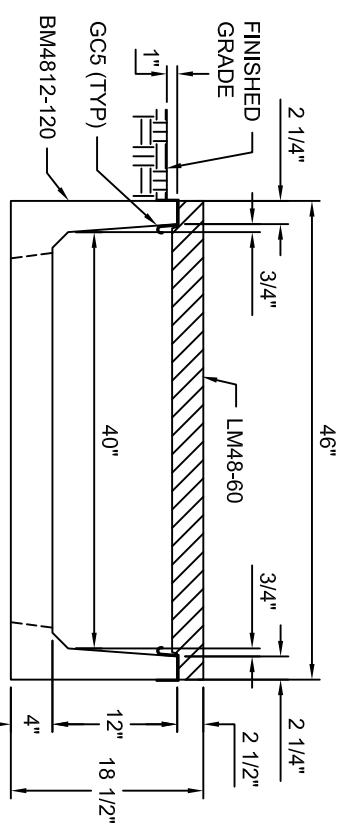
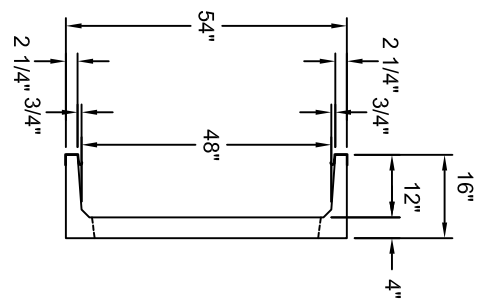


LM48-60
SCALE: 1/2" = 1'-0"



BM4812-120
SCALE: 1/2" = 1'-0"



TYPICAL MEDIUM VEHICLE
SECTION 48"W X 12"D
SCALE: 1" = 1'-0"

IF TRENCH IS BEING
INSTALLED IN POOR
DRAINAGE SOIL, A
PERFORATED DRAIN IS
RECOMMENDED.

9,000# G.W.W. RATED

Trenwa Inc.

1419 ALEXANDRIA PIKE FORT THOMAS, KY 41075	859-781-0831
TYPICAL MEDIUM VEHICLE BASE, LID & SECTION FOR 48" WIDE X 12" DEEP TRENCH	
Date: 8/28/2008	Dwg. No. BM4812-120 STD

*GCS (GROUND CLIPS) OPTIONAL