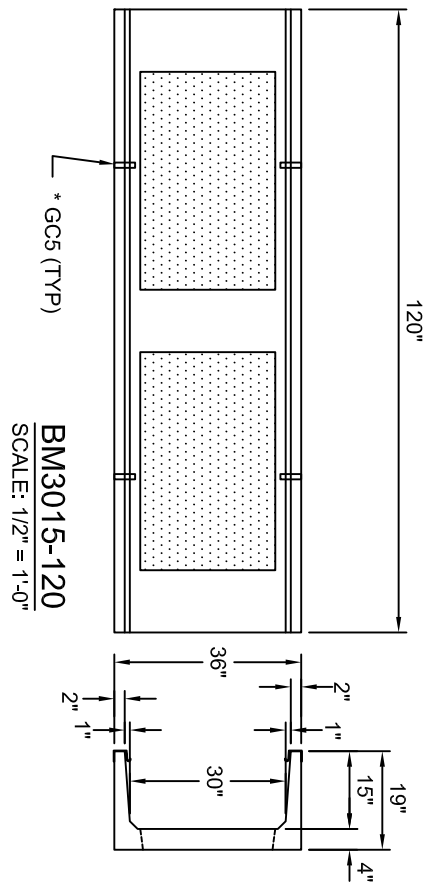
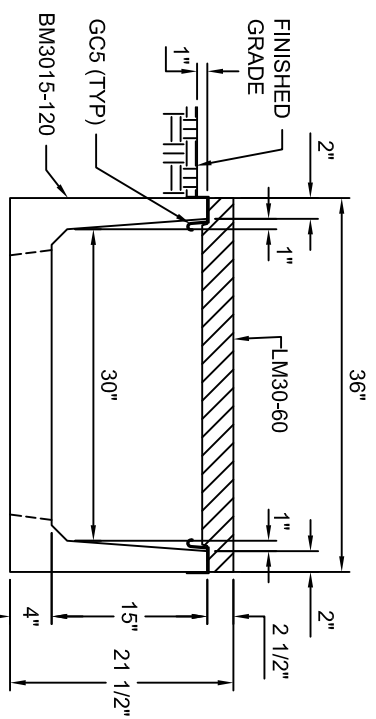


LM30-60
SCALE: 1/2" = 1'-0"



BM3015-120
SCALE: 1/2" = 1'-0"



TYPICAL MEDIUM VEHICLE SECTION 30"W X 15"D
SCALE: 1" = 1'-0"

9,000# GVW. RATED

Trenwa Inc.

1419 ALEXANDRIA PIKE FORT THOMAS, KY 41075	859-781-0831
TYPICAL MEDIUM VEHICLE BASE, LID & SECTION FOR 30" WIDE X 15" DEEP TRENCH	
Date: 8/26/2008	Dwg. No. BM3015-120 STD

*GCS (GROUND CLIPS) OPTIONAL