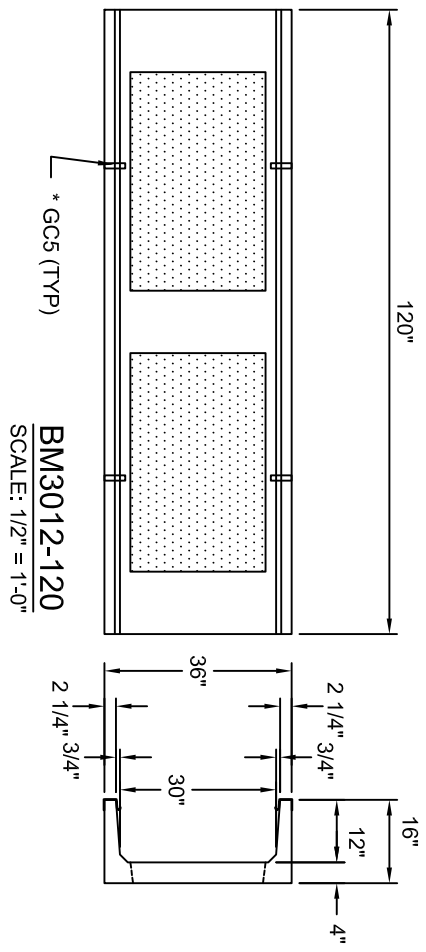
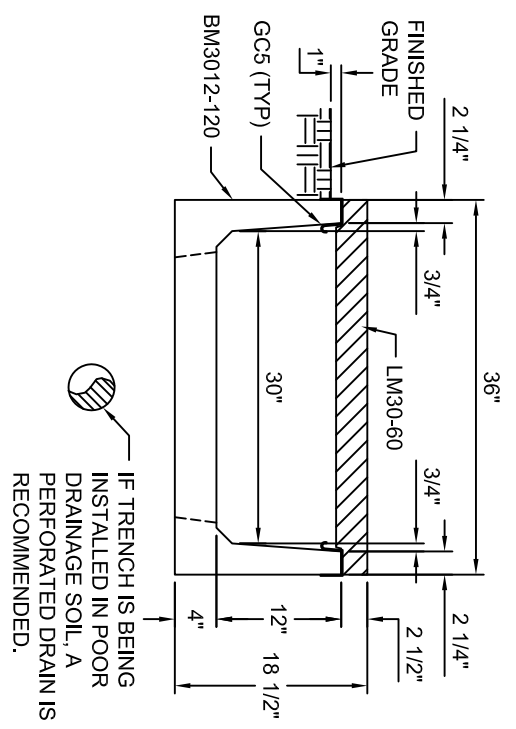


**LM30-60**  
SCALE: 1/2" = 1'-0"



**BM3012-120**  
SCALE: 1/2" = 1'-0"



**TYPICAL MEDIUM VEHICLE SECTION 30"W X 12"D**  
SCALE: 1" = 1'-0"

**9,000# GWW. RATED**

<b>Trenwa Inc.</b>	
1419 ALEXANDRIA PIKE	FORT THOMAS, KY 41075
859-781-0831	
<b>TYPICAL MEDIUM VEHICLE BASE, LID &amp; SECTION FOR 30" WIDE X 12" DEEP TRENCH</b>	
Date:	Dwg. No.
8/28/2008	BM3012-120 STD

\*GC5 (GROUND CLIPS) OPTIONAL