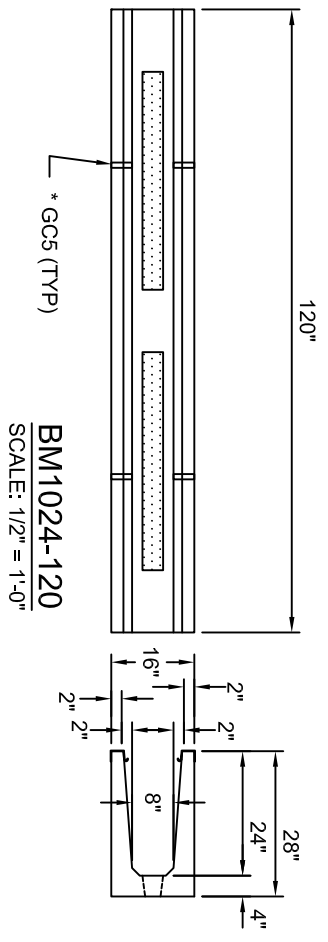
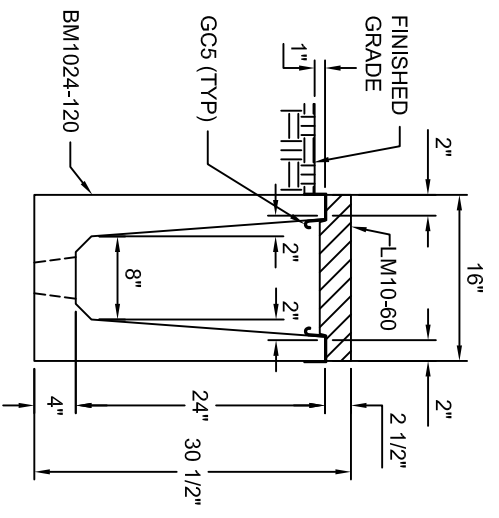


LM10-60
SCALE: 1/2" = 1'-0"



BM1024-120
SCALE: 1/2" = 1'-0"



IF TRENCH IS BEING
INSTALLED IN POOR
DRAINAGE SOIL, A
PERFORATED DRAIN IS
RECOMMENDED.

**TYPICAL MEDIUM VEHICLE
SECTION 10"W x 24"D**
SCALE: 1" = 1'-0"

9,000# GWV. RATED

Trenwa Inc.

1419 ALEXANDRIA PIKE FORT THOMAS, KY 41075	859-781-0831
TYPICAL MEDIUM VEHICLE BASE, LID & SECTION FOR 10" WIDE x 24" DEEP TRENCH	
Date: 9/16/2008	Dwg. No. BM1024-120 STD

*GCS (GROUND CLIPS) OPTIONAL