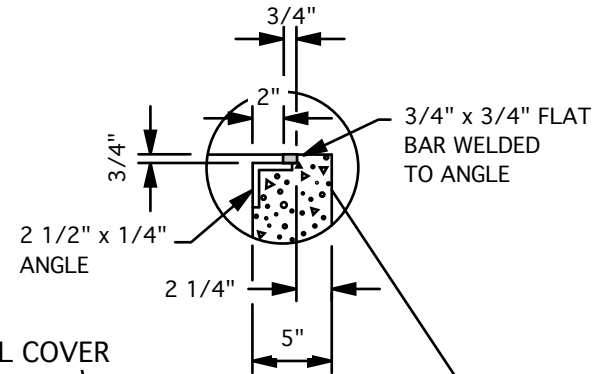


PULLING EYES (TYP) SEE NOTE 3.

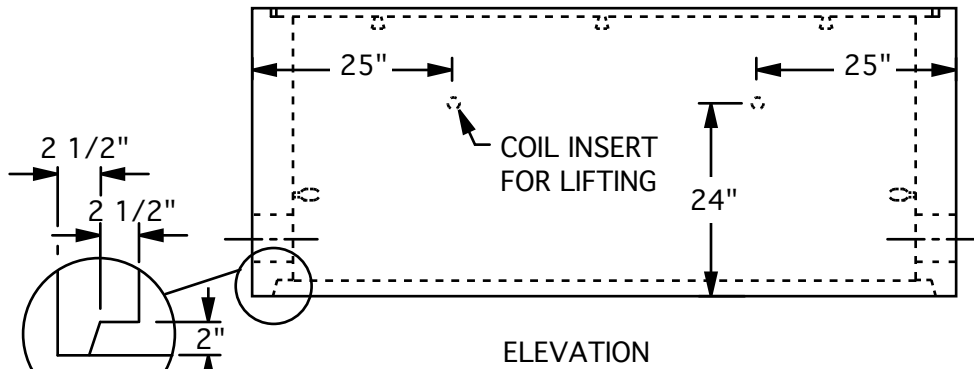
PLAN

NOTES:

1. INSTALL TWO (2) 6" WIDE FLARE BELLED END ADAPTERS TO ACCEPT 6" SCHEDULE 40 PVC AS SHOWN AT EACH END. INSTALL REMOVABLE PLUGS IN EACH ADAPTER PRIOR TO SHIPMENT.
2. SURFACE AREAS TO BE FREE OF SHARP EDGES AND EXCESS CONCRETE.
3. PULLING EYE TO BE 3/4" COIL ROD WITH EYE NUT AND COIL NUT. INSTALLED JUST ABOVE EACH ADAPTER OPENING.
5. FRAME TO BE INSTALLED WITH 1/2" RECESS TO ALLOW COVER TO SET FLUSH.
6. COVER TOP WITH GALVANIZED STEEL FRAME. (2 1/2" x 2 1/2" x 1/4" ANGLE)
7. TOP TO HAVE 6 HOLES DIMENSIONED TO MATCH COVER.



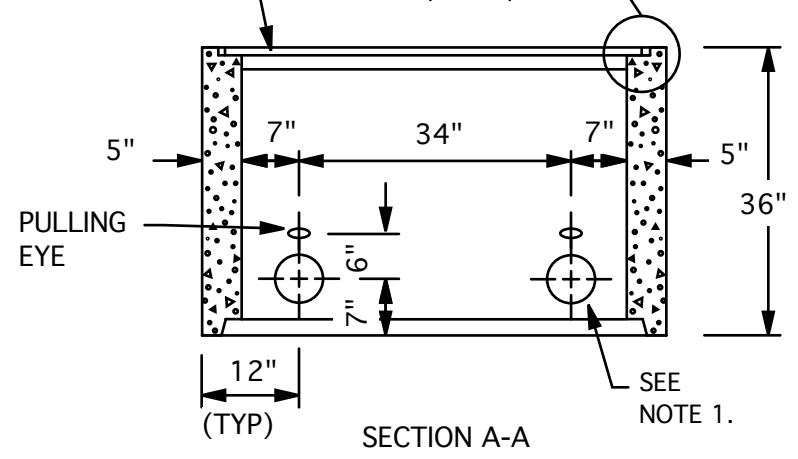
320406 STEEL COVER



ELEVATION

SHIPLAP GROOVE

CONCRETE PULL/SPLICE BOX TOP
 HS20 RATED 32,000#/AXLE
 FITS 320181 BOTTOM & 300406 HS20 STEEL LID
 WEIGHT=4100 lbs.



SECTION A-A

TRENWA INC.		
1419 ALEXANDRIA PIKE	FORT THOMAS, KY. 41075	859-781-0831
CONCRETE PULL/SPLICE BOX	DATE 5/2/07	DRAWING NO. 320180