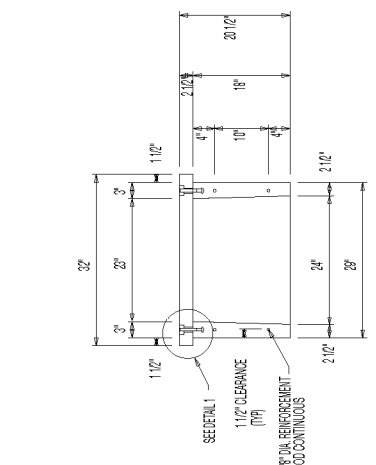


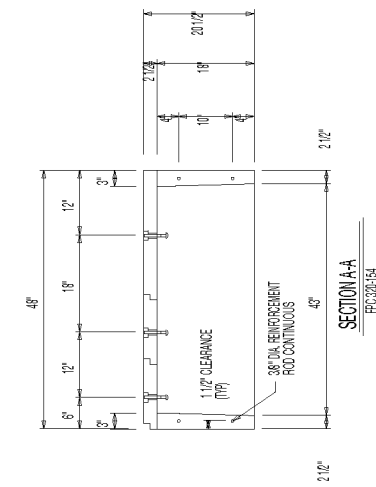
NOTES:

1. STEEL REINFORCEMENT AS DIMENSIONED IN LITERS TO BE 30% REBAR WELDED.
2. ALL COMPLETE JOINTS.
3. DIMENSIONS SHALL BE FOR TOP OF COMPRESSION STRONG FLOOR SLAB.
4. DIMENSIONS SHALL BE NORMAL TAPERING TO FACILITATE REMOVAL OF FORMS & PERMISSIBLE TO ALLOW CONCRETE STEEL AND ROD PLACEMENT AND CURING SHALL CONFORM TO LATEST APPLICABLE ACI CODE. MAXIMUM TOLERANCE ON DIMENSIONS IS 1/8\".

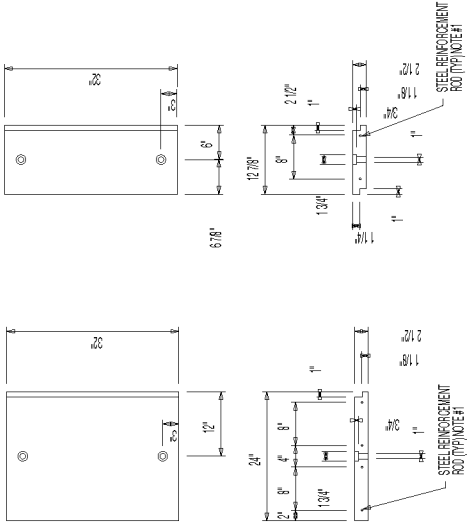
NO.	DATE	BY	REVISION
TREWA INC.			
100 TRIMBLE, N. W. BLVD.			
SUITE 1515 07			
DATE: JUN 13, 2006			
DRAWN BY:			
CHECKED BY:			
DESIGNED BY:			
PROJECT: PRECAST MOUNTING BOX FOR 15-167 KVA			
SINGLE PHASE PAD MOUNTED TRANSFORMER			
DRAWING NUMBER: 321154			



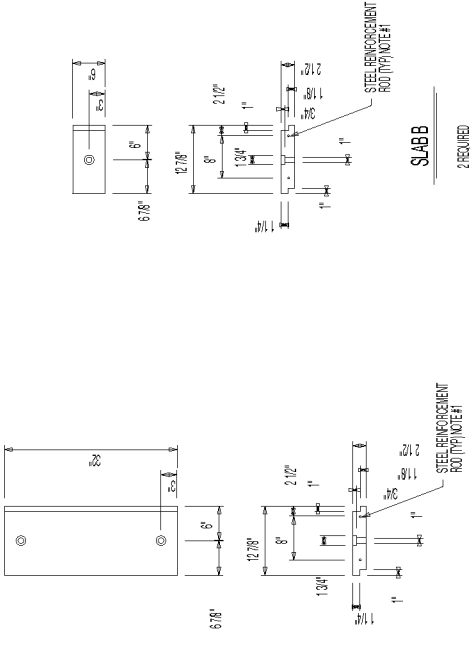
SECTION B-B
321154



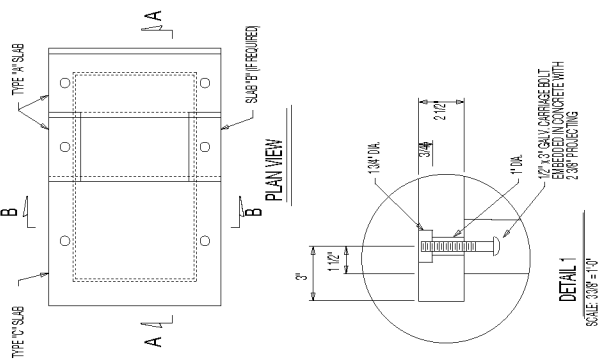
SECTION A-A
321154



SLAB C
1 EACH



SLAB B
2 EACH



DETAIL 1
SCALE: 3/8\"/>